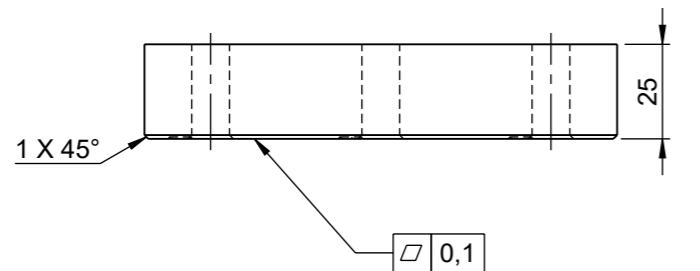
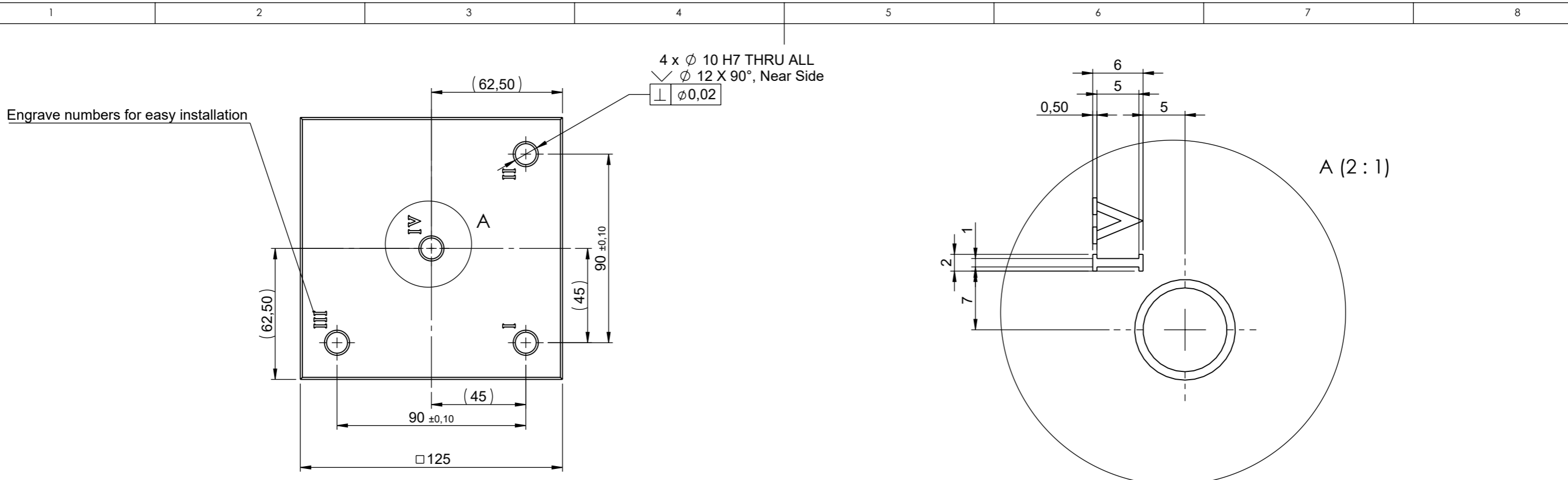
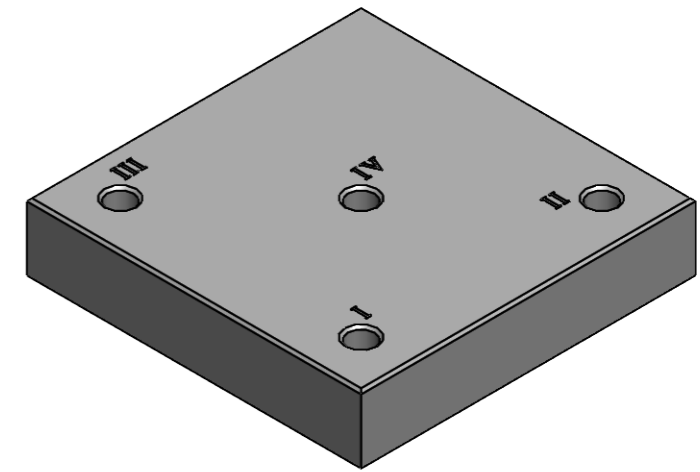




This drawing is property of RoboJob, no reproduction or access to third party is allowed without written permission



Make sure measure plate is parallel with machine table.



Remark: Check 3D step file for missing dimensions

PROJECTION: ISO 2768 - f H	UNLESS OTHERW. SPECIFIED TOLERANCE: 3,2	SURFACE FINISH Ra: 3,2	DEBUR AND BREAK SHARP EDGES	DRAWING (ITEM) NBR: 8922.5.003	REVISION: 00	STATUS: Released
DRAWN Lander Debo	DATE & TIME 17/11/2022	DESCRIPTION: Mill Measure plate, COBY				
LAST SAVED lander.debo	donderdag 17 november 2022 11:09:48	MATERIAL: 1.4305 (303)	SUBJECT: 8000 (Custom specific)	WEIGHT (GR): 3021		
 Member of 			TREATMENT: N/A	SHEET 1 of 1		SCALE: 1:2