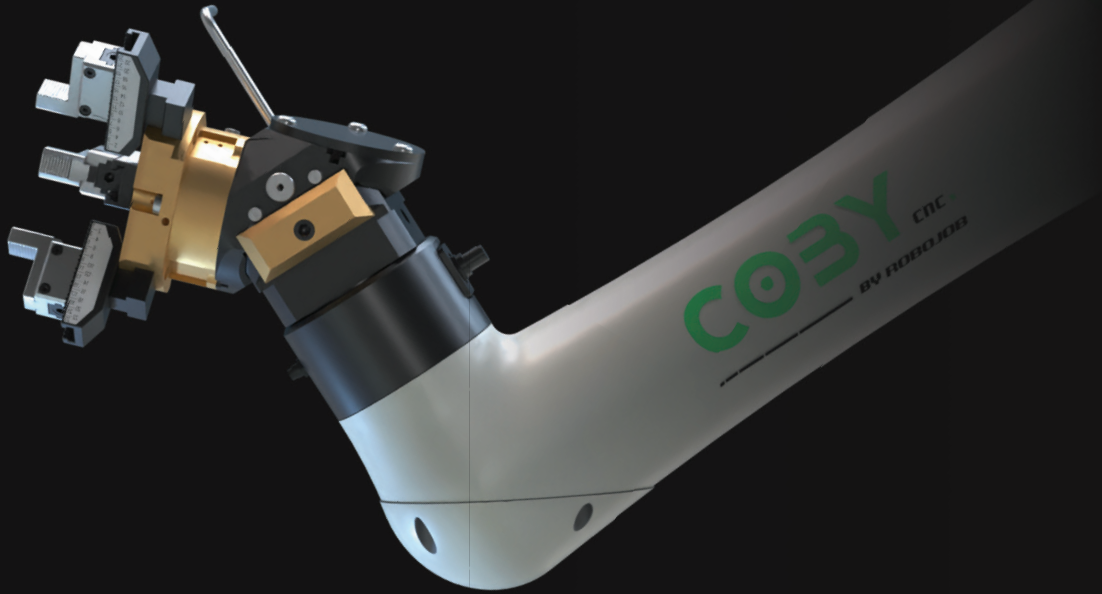


# Quick Start Guide, **COBY CNC.**



Mill

**COBY** CNC.  
BY ROBOJOB

## **Congratulations!**

You've just received your Coby CNC.

Are you ready to bring him to life?

Follow this guide to get the system up and running. If you get stuck at any point, you can find step-by-step videos of the installation process at:

**[www.coby-cnc.com/installation-guide](http://www.coby-cnc.com/installation-guide)** or by scanning the QR-code.

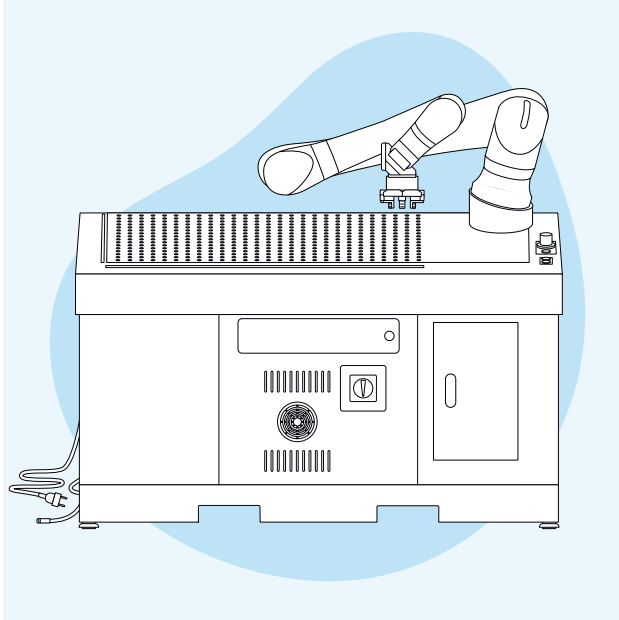


## **Got everything?**

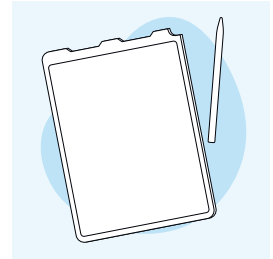
We built and packaged your system with love and care, but it's always a good idea to check if everything is in the box. You can find an overview on the next page.

Anything missing? Send us an e-mail and we'll send it over to you asap.

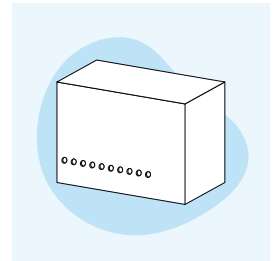
# What's in the box?



Coby system: Stacker table + Robot  
+ Air & Power connection

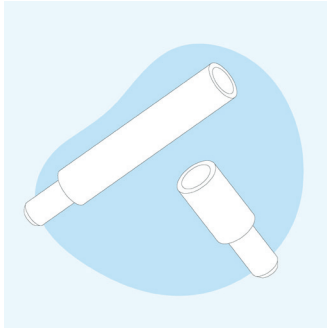


Tablet

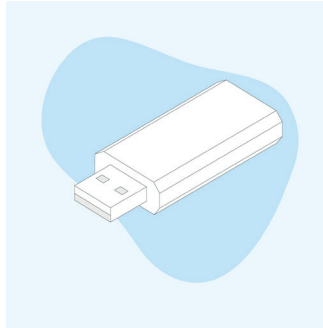


CobyBox

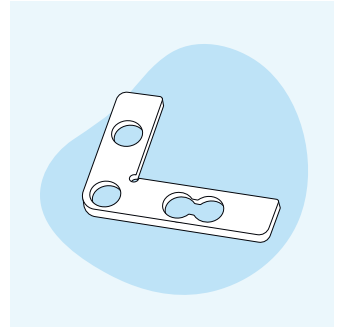
# What's in the box?



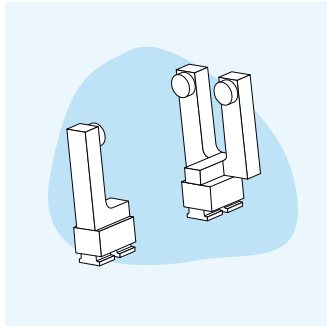
100 long studs  
+ 300 short studs



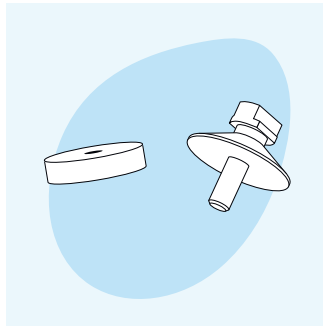
Operating manual



100 corner pieces

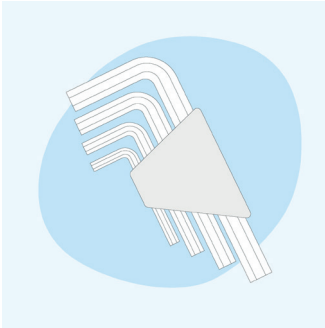


Gripper fingers

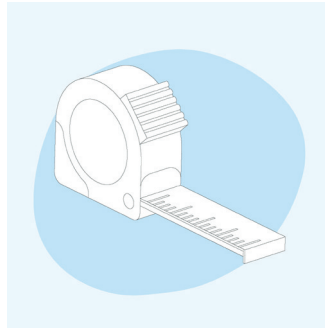


Set of calibration tools

## You'll also need



Set of hex keys



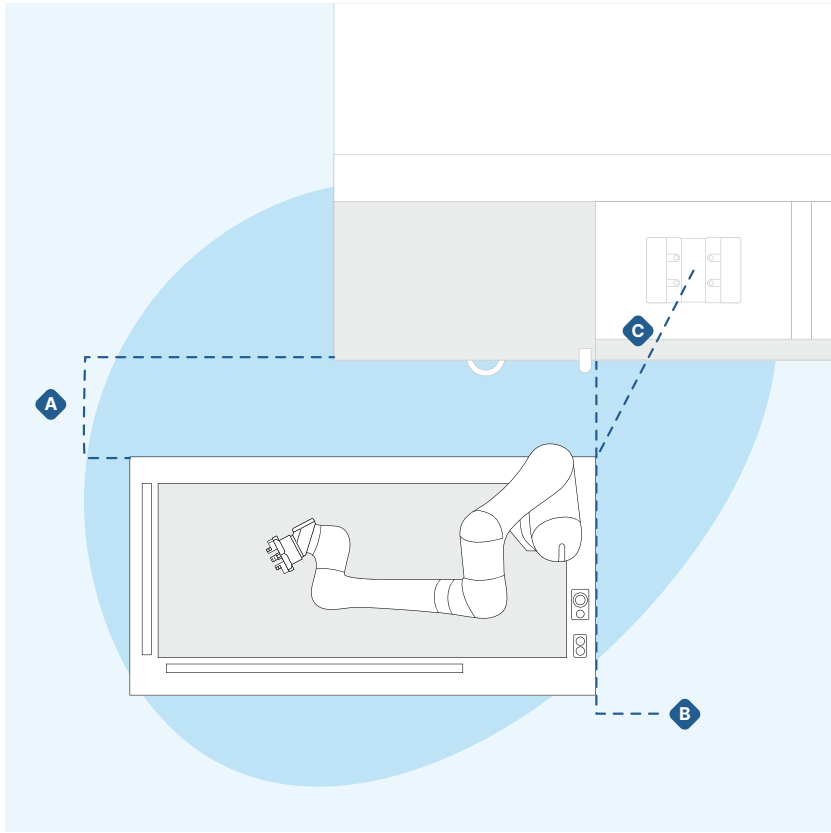
Measuring tape



Pallet truck

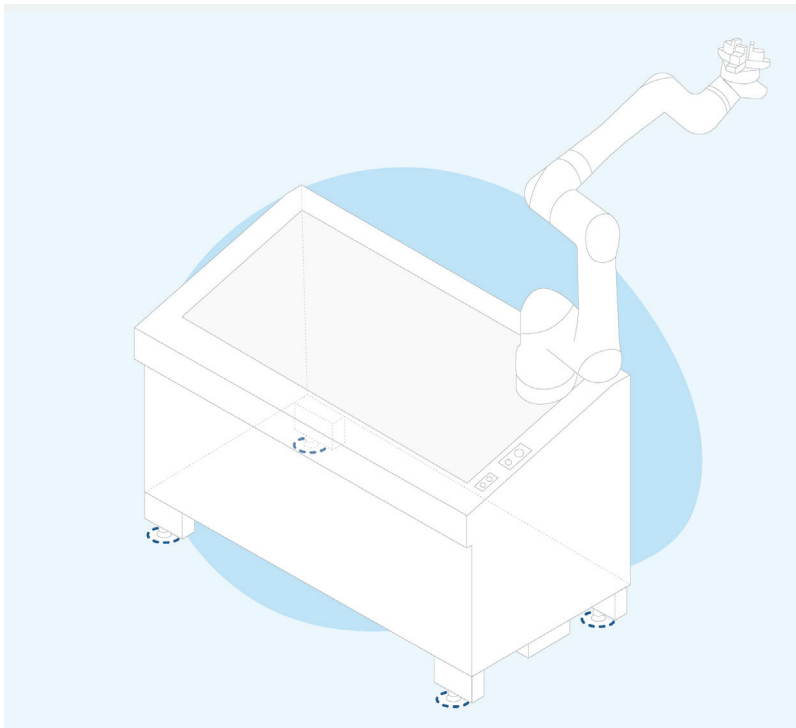
## 1. Positioning Coby

- A** The minimal distance between Coby and the CNC machine is 300mm for lathes and 350mm for milling machines.
- B** Align the right side of the system with the left edge of the door opening.
- C** Distance to the main spindle: max 800mm



## 2. Mark Coby's corners

Use chalk or tape to mark Coby's positions on the floor to monitor if the system moves at all.





### 3. System connections



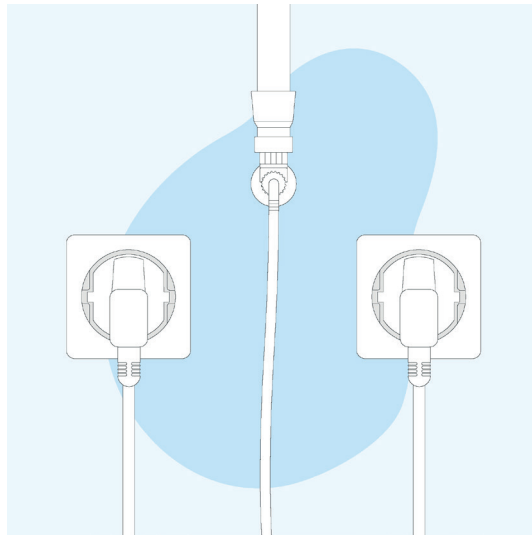
#### Power

Simply plug Coby into a wall socket (220VAC, single phase, type E or type F/Schuko). Plug the CobyBox into a second wall socket.



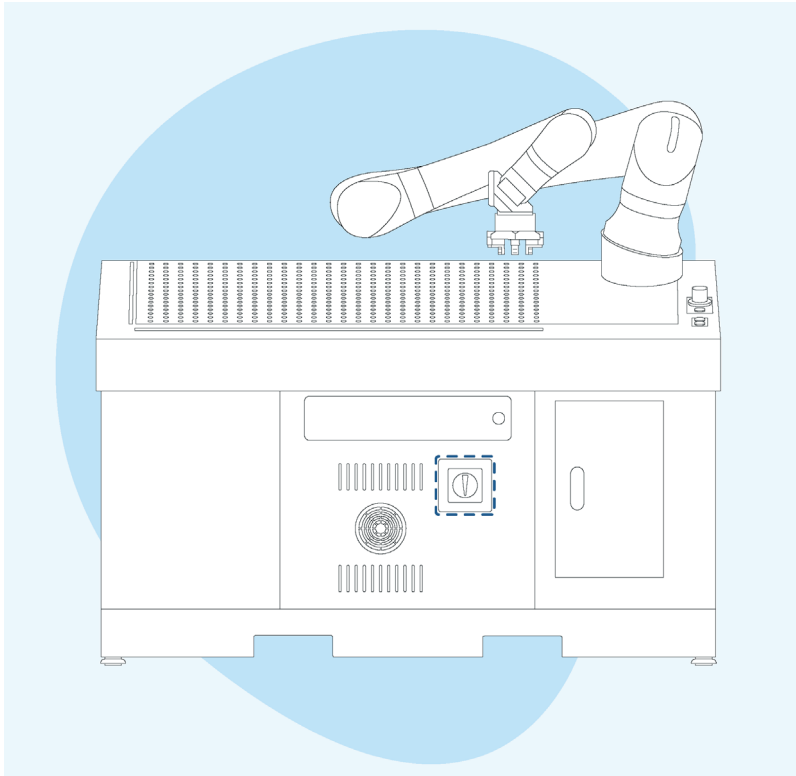
#### Air Supply

Use the provided male connector to connect to your female connector.



## 4. Flip the switch

Everything is installed, now it's time to power on the system.



That's it for the Quick Start Guide.

Follow the Setup Wizard in Coby's software to complete the installation process.

Good luck!

**COBY** *cnc.*  
BY ROBOJOB